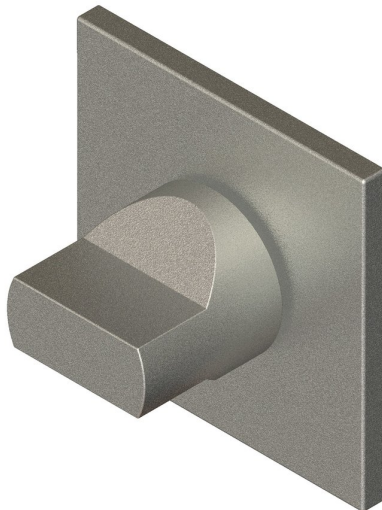
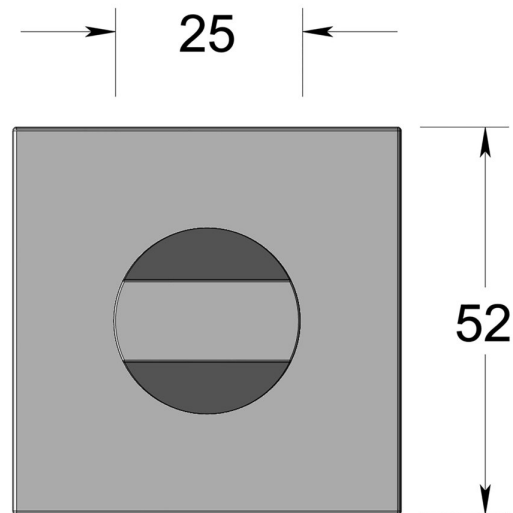


Cut turn on square rose



Product image



Dimensions drawing (DIM)

Reference

FTT003 SR4 SSS

Finish

Incasa satin stainless steel

Material

Stainless steel 316

Backplate

SR4

Description

Concealed fixing rose
Solid thumb turn