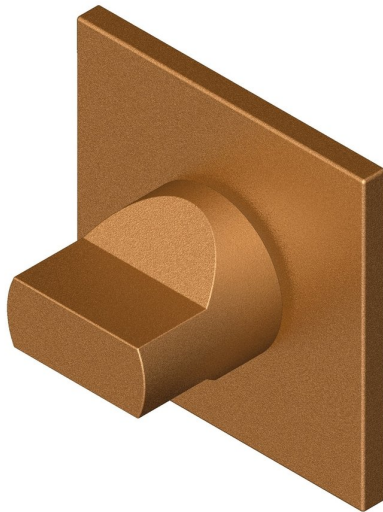
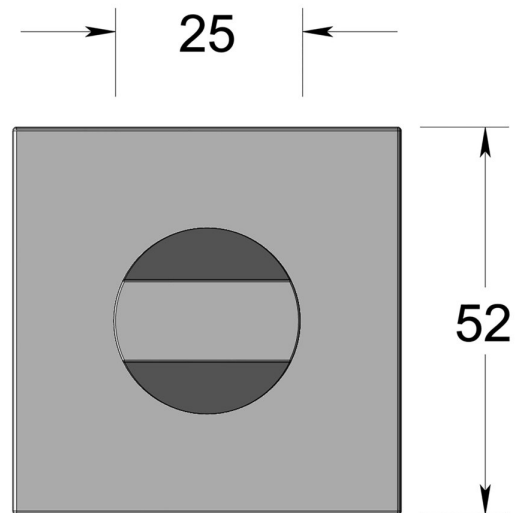


Cut turn on square rose



Product image



Dimensions drawing (DIM)

Reference

FTT003 SR4 SPVDCU

Finish

Incasa satin PVD copper

Material

Stainless steel 316

Backplate

SR4

Description

Concealed fixing rose

Solid thumb turn