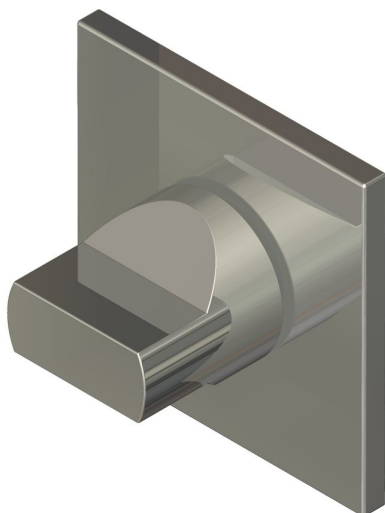
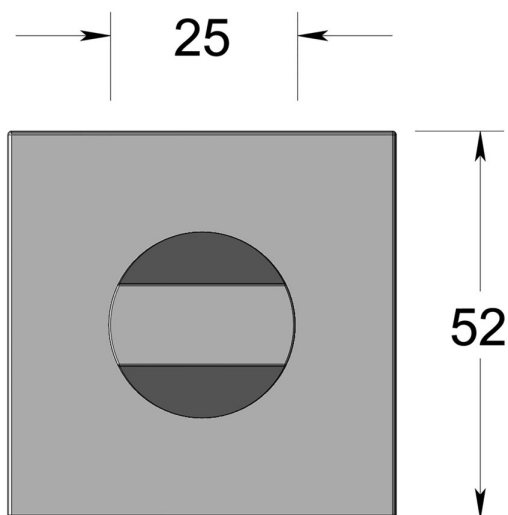


## Cut turn on square rose



Product image



Dimensions drawing (DIM)

**Reference**

FTT003 SR4 PSS

**Finish**

Incasa polished stainless steel

**Material**

Stainless steel 316

**Backplate**

SR4

**Description**

Concealed fixing rose  
Solid thumb turn